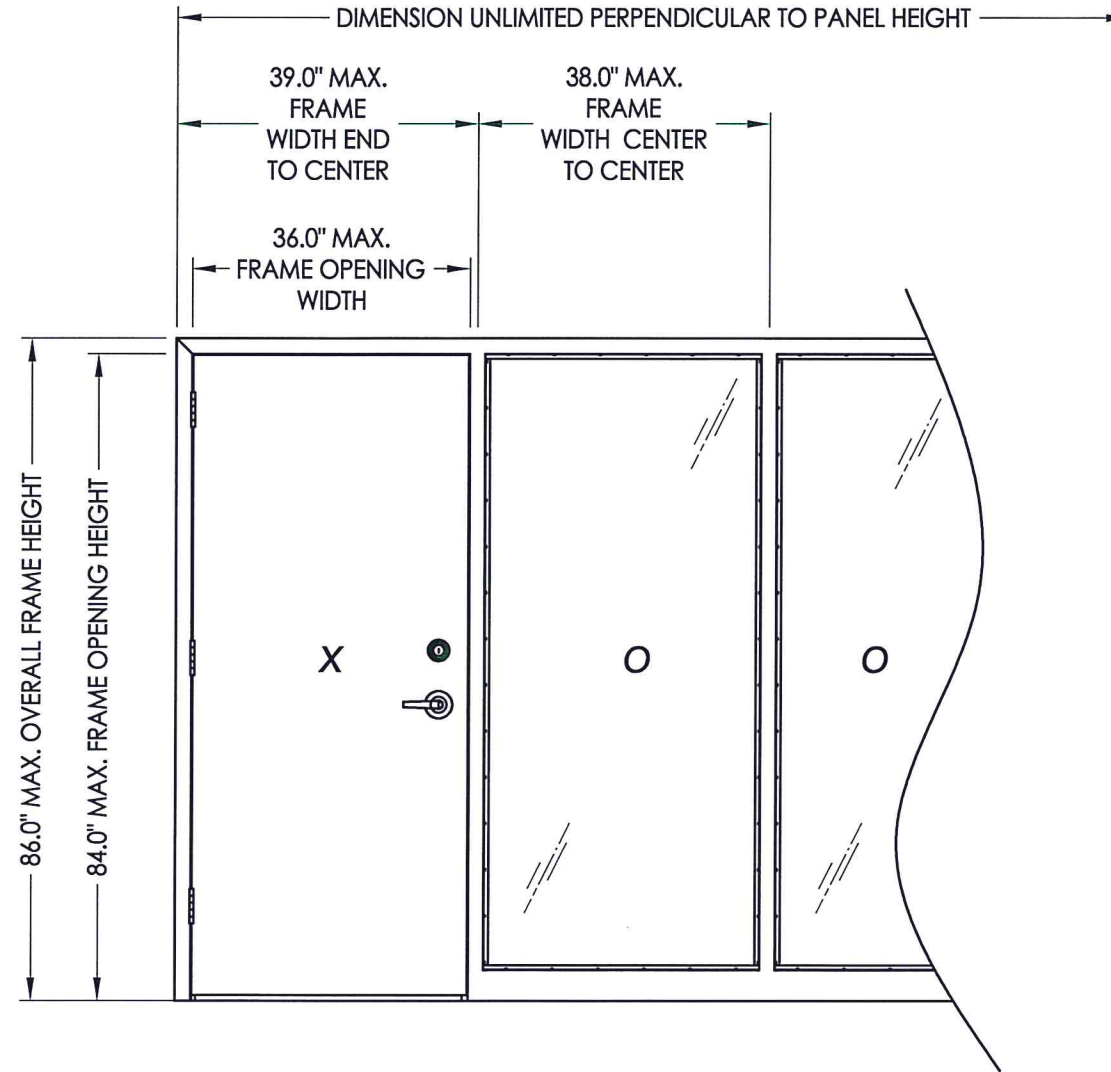


"D" SERIES COMMERCIAL STEEL DOOR w/ SIDELITE IN SWING / OUT SWING "NON-IMPACT"

GENERAL NOTES

1. This product has been evaluated and is in compliance with the 7th Edition (2020) Florida Building Code (FBC) structural requirements excluding the "High Velocity Hurricane Zone" (HVHZ).
2. Product anchors shall be as listed and spaced as shown on details. Anchor embedment to base material shall be beyond wall dressing or stucco.
3. When used in areas requiring wind borne debris protection this product is required to be protected with an impact resistant covering that complies with FBC Section 1609.1.2.
4. Site conditions that deviate from the details of this drawing require further engineering analysis by a licensed engineer or registered architect.
5. The "D" door achieves a Class I stiffness classification per Section 8.2.2 of ANSI A250.13 (based on opaque door).

TABLE OF CONTENTS	
SHEET #	DESCRIPTION
1	Typical elevations, design pressures, & general notes
2	Door panel sections 161 lock prep
3	Horizontal cross sections
4	Vertical cross sections
5	Vertical cross sections
6	Vertical cross sections
7	Anchoring details
8	Glazing detail & components
9	Bill of materials & components

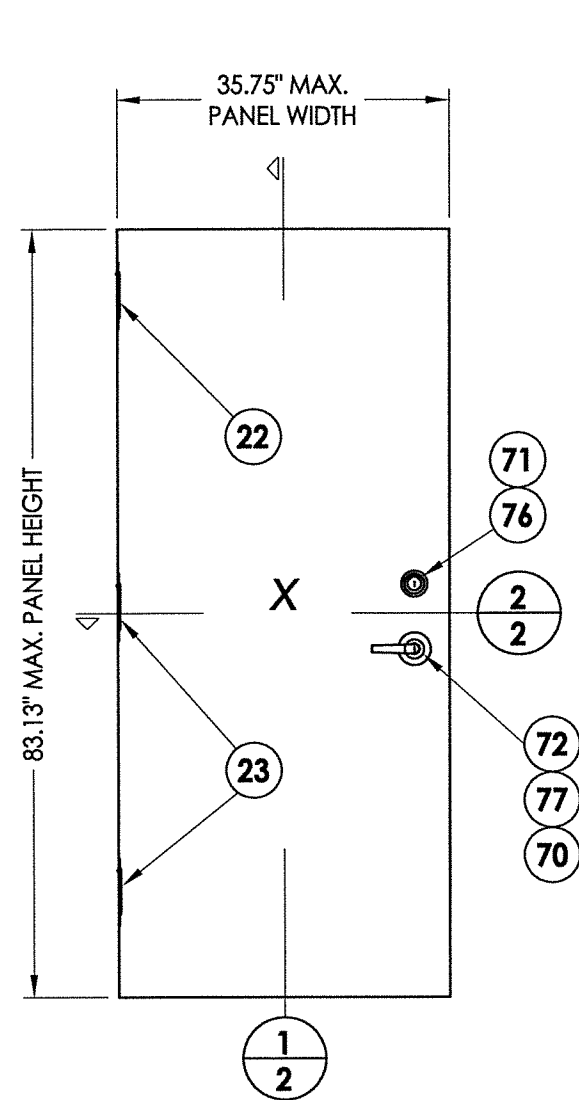


SWING	OVERALL FRAME DIMENSION	OVERALL D.L.O. DIMENSION	LOCK TYPE	DESIGN PRESSURE (PSF)	
				POSITIVE	NEGATIVE
IN SWING	39.0" x 86.0"	34.75" x 78.75"	161 LATCH (SCHLAGE)	+55.0	-55.0
	39.0" x 86.0"	34.75" x 78.75"	161 LATCH & DEADBOLT (DESIGN HARDWARE)	+65.0	-70.0
OUT SWING	39.0" x 86.0"	34.75" x 78.75"	161 LATCH (SCHLAGE)	+55.0	-55.0
	39.0" x 86.0"	34.75" x 78.75"	161 LATCH & DEADBOLT (DESIGN HARDWARE)	+65.0	-70.0

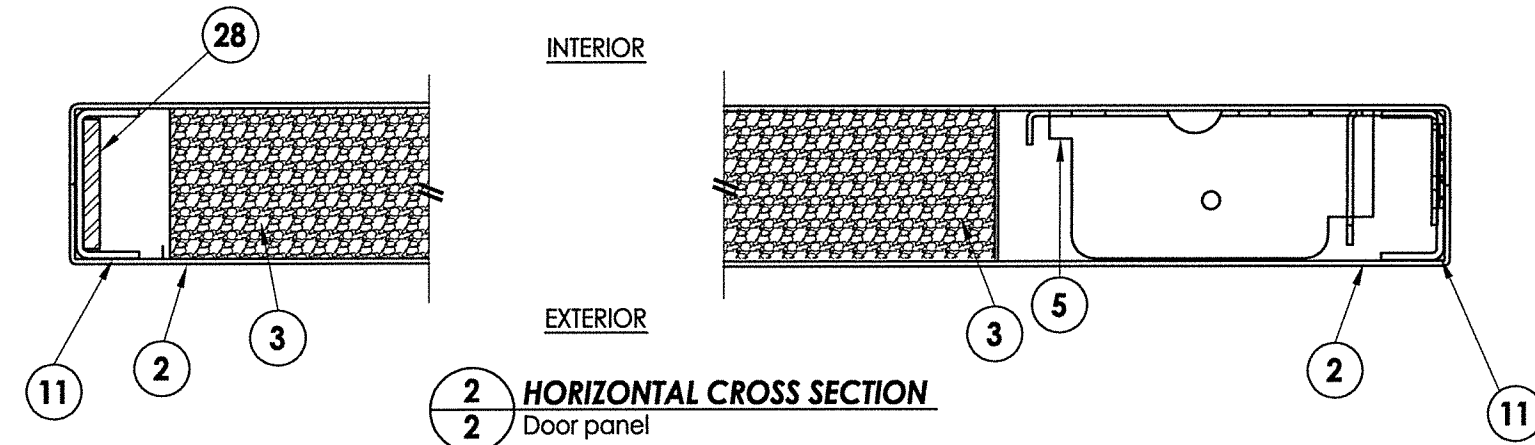
November 15, 2022
 Documents Prepared By:
 Lyndon F. Schmidt
 P.E. No. 43409

R.W. BUILDING CONSULTANTS, INC.
 P.O. Box 230, Valrico, FL 33595
 Phone No.: 813.659.9197
 FBPE Registry No. 9813

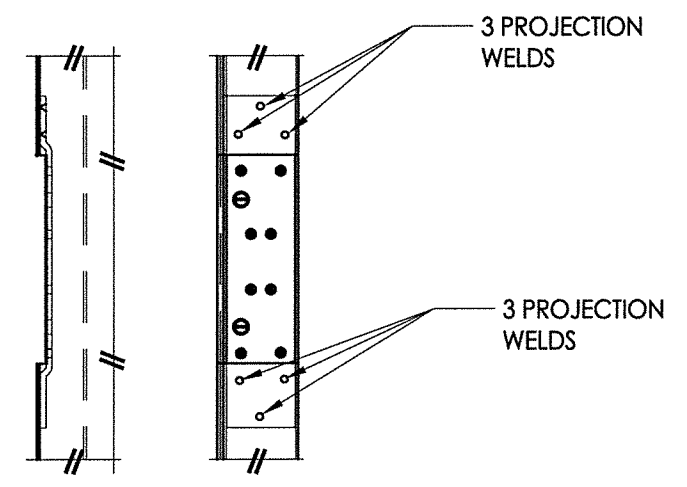
PRODUCT: PREMIER PRODUCTS, INC. "D" STEEL DOOR	
PART OR ASSEMBLY: TYPICAL ELEVATIONS, DESIGN PRESSURES & GENERAL NOTES	
NO.	DATE
BY	REVISIONS
DATE: 11/10/22	
SCALE: N.T.S.	
DWG. BY: LFS	
CHK. BY: RW	
DRAWING NO.: FL-41788.6	
SHEET 1 OF 9	



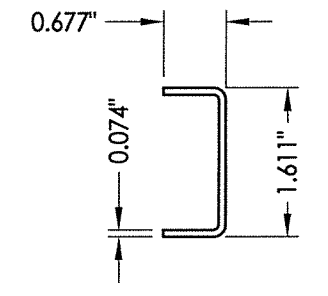
1 "D" OPAQUE STEEL DOOR PANEL



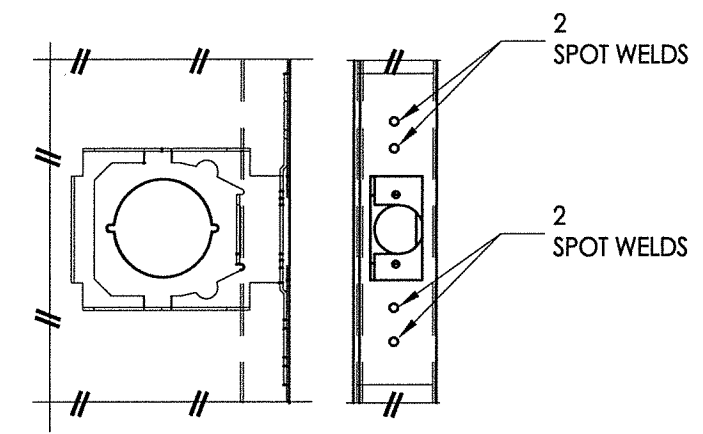
2 HORIZONTAL CROSS SECTION
2 Door panel



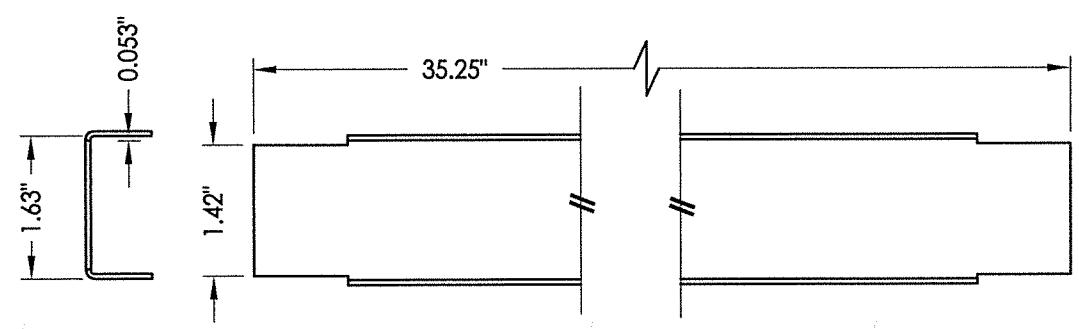
23 DOOR HINGE REINFORCEMENT



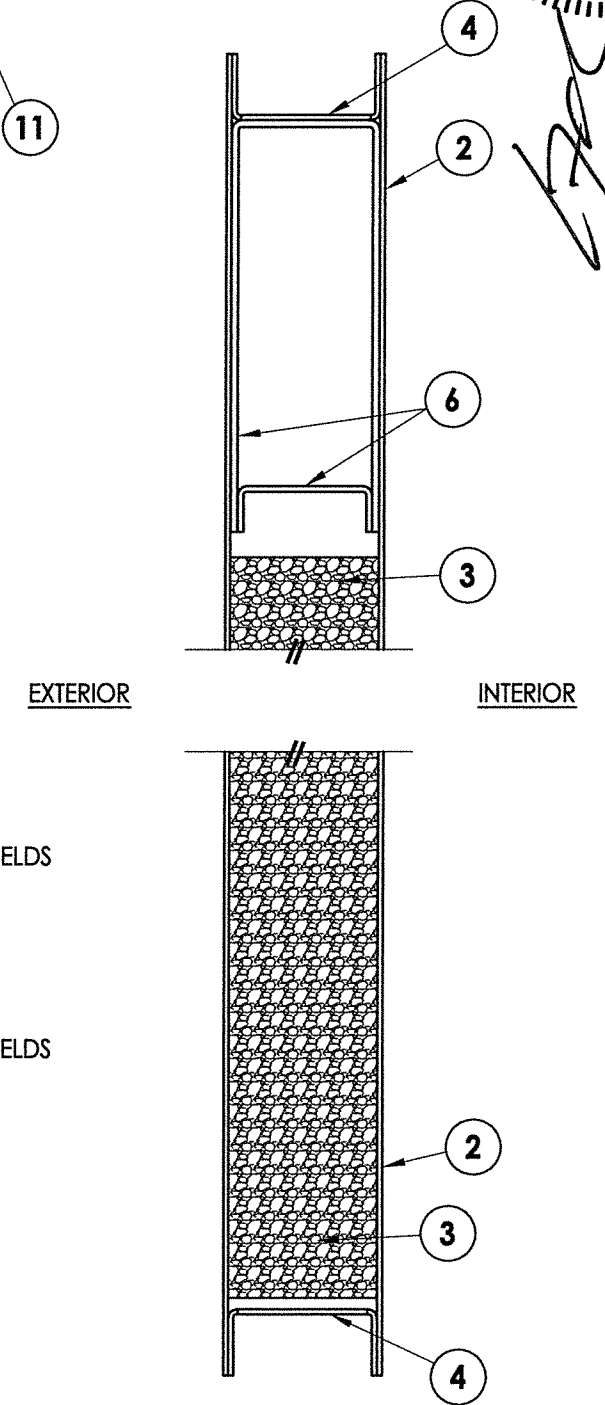
11 DOOR STILE EDGE Reinforcement



5 LOCK BOX REINFORCEMENT



4 DOOR TOP & BOTTOM CLOSER

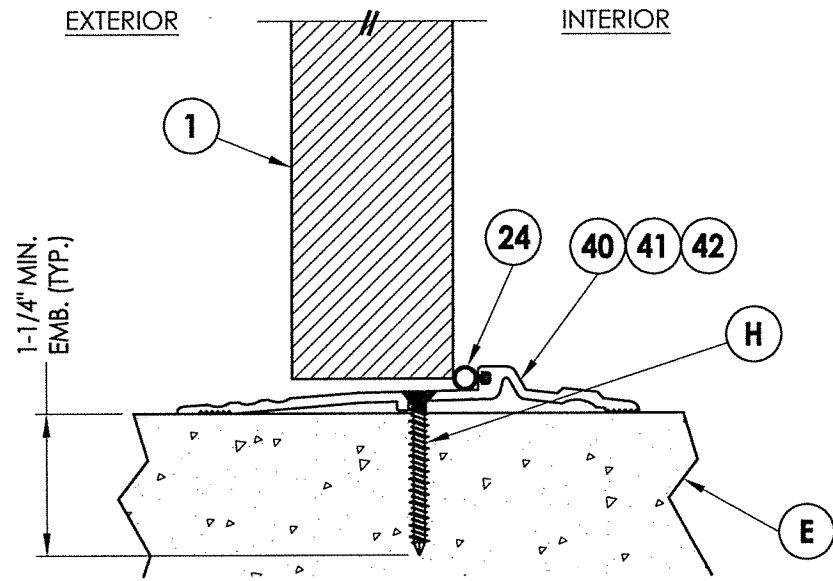


1 VERTICAL CROSS SECTION
2 Door panel

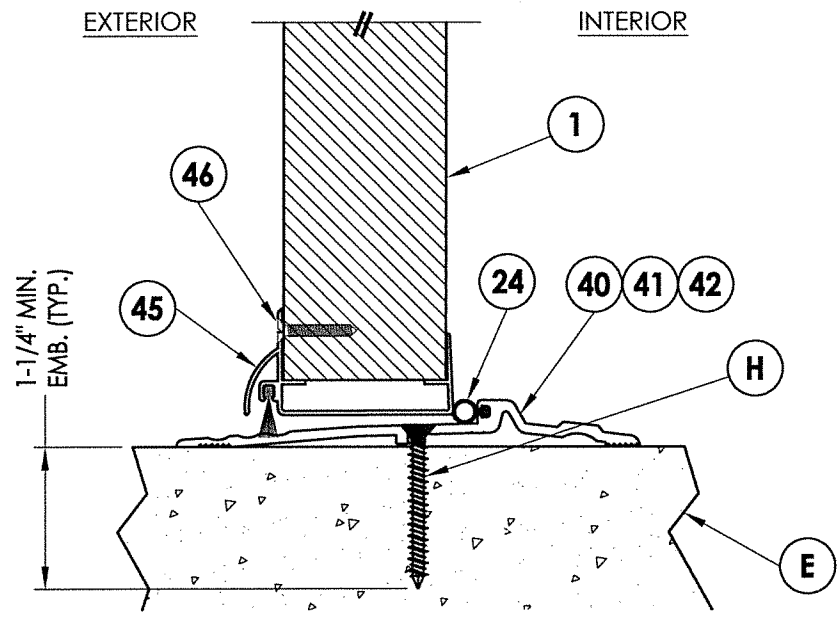
November 15, 2022
 Documents Prepared By:
 Lyndon F. Schmidt
 P.E. No. 43409

R.W. BUILDING CONSULTANTS, INC.
 P.O. Box 230, Valrico, FL 33595
 Phone No.: 813.659.9197
 FBPE Registry No. 9813

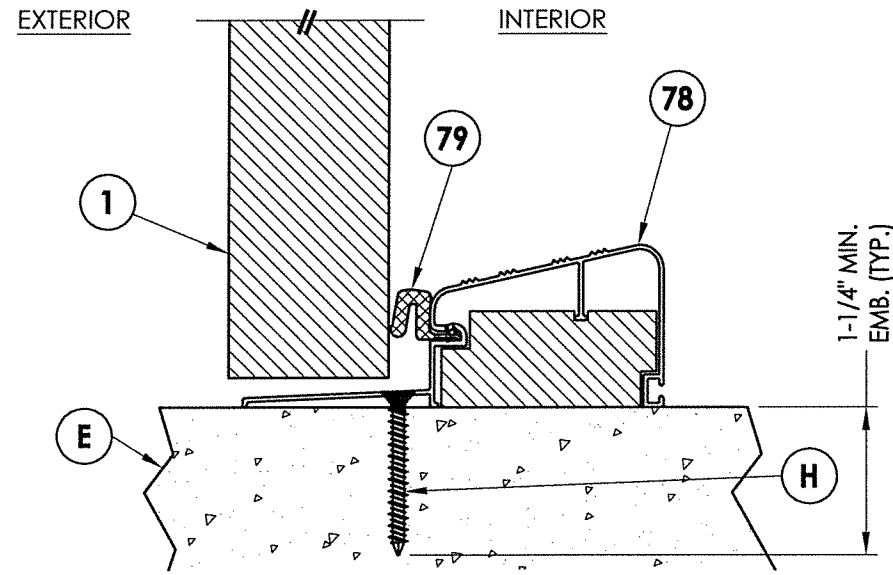
PRODUCT: PREMIER PRODUCTS, INC. "D" STEEL DOOR	PART OR ASSEMBLY: DOOR PANEL SECTIONS 161 LOCK PREP
NO. DATE BY	REVISIONS
DATE: 11/10/22 SCALE: N.T.S. DWG. BY: LFS CHK. BY: RW DRAWING NO.: FL-41788.6 SHEET 2 OF 9	



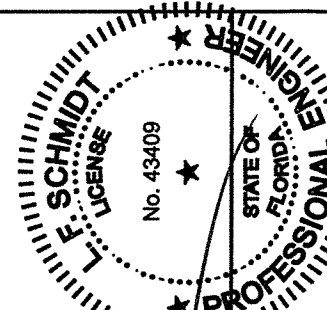
2 VERTICAL CROSS SECTION
5 Outswing shown



1 VERTICAL CROSS SECTION
5 Outswing shown



3 VERTICAL CROSS SECTION
5 Outswing shown



L.F. Schmidt
 November 15, 2022
 Documents Prepared By:
 Lyndon F. Schmidt
 P.E. No. 43409

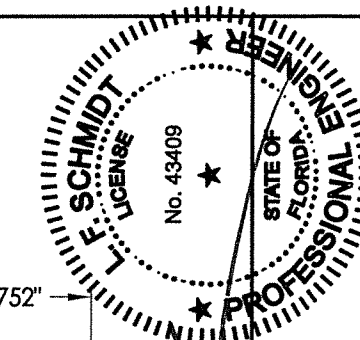
PROFESSIONAL ENGINEER
 STATE OF FLORIDA
 License No. 43409

R.W.
 BUILDING CONSULTANTS, INC.
 P.O. Box 230, Valrico, FL 33595
 Phone No.: 813.659.9197
 FBPE Registry No. 9813

PRODUCT: PREMIER PRODUCTS, INC. "D" STEEL DOOR	
PART OR ASSEMBLY: VERTICAL CROSS SECTIONS	
	BY
	NO. DATE
REVISIONS	
DATE: 11/10/22	
SCALE: N.T.S.	
DWG. BY: LFS	
CHK. BY: RW	
DRAWING NO.: FL-41788.6	
SHEET 5 OF 9	

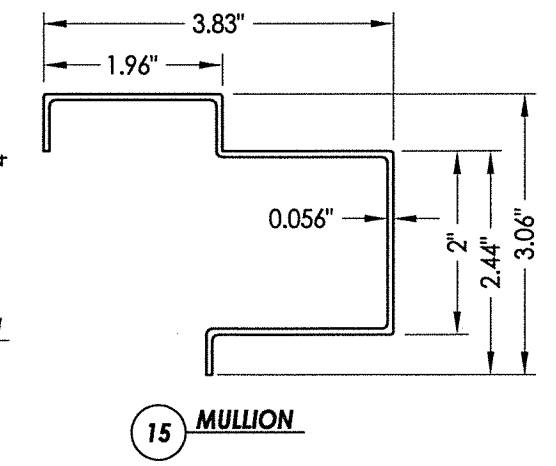
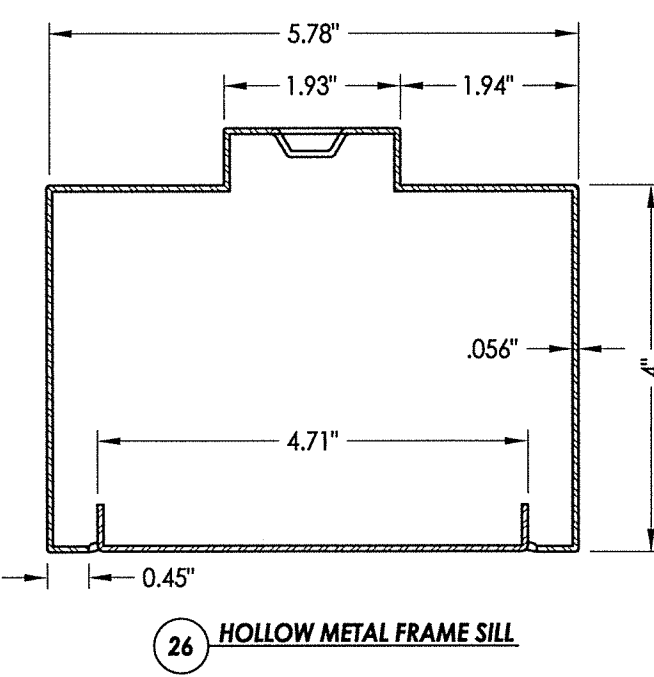
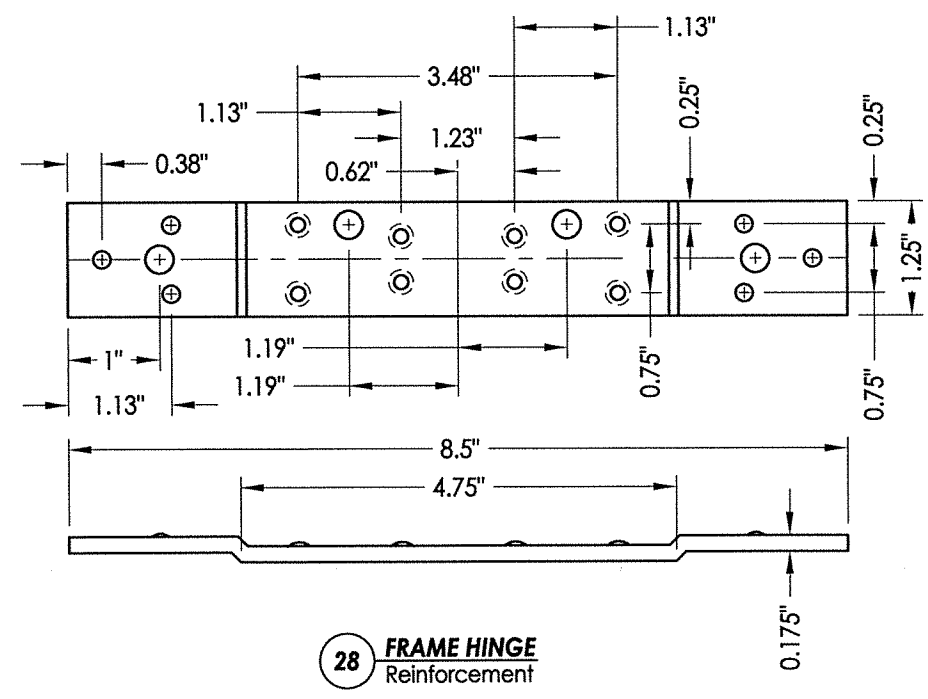
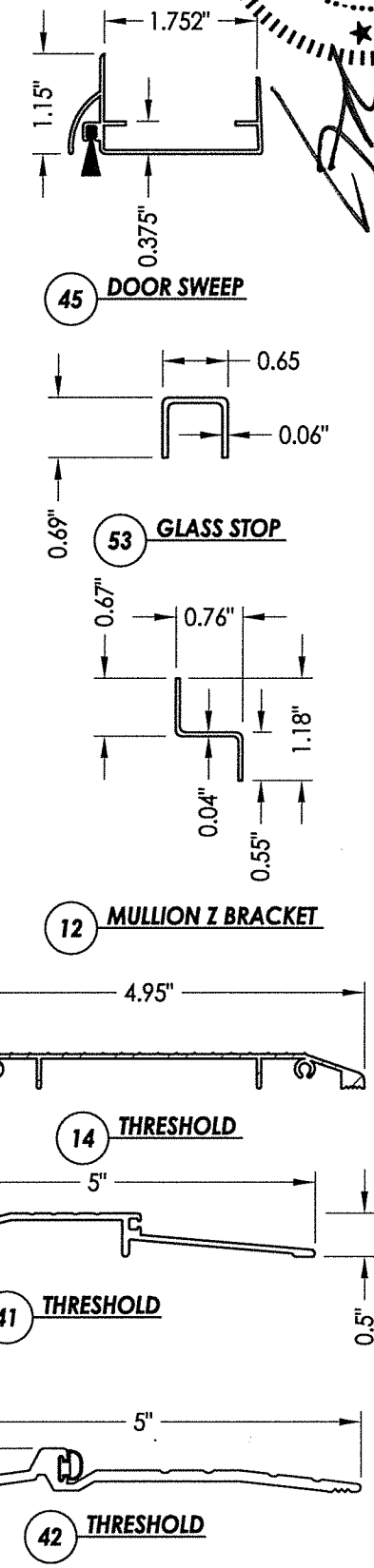
Z:\Clients\Premier Products PERMANENTA - Florida Product Approvals\FL-41788\C - Drawings\FL-41788-5-9.dwg

BILL OF MATERIALS					
ITEM	DESCRIPTION	MATERIAL	ITEM	DESCRIPTION	MATERIAL
C	MAX. 1/4" SHIM SPACE	-	23	STANDARD (SHORT) DOOR HINGE MIDDLE BOTTOM REINFORCEMENT	STEEL
E	MASONRY - 3,000 PSI MIN. CONCRETE CONFORMING TO ACI 301 OR HOLLOW BLOCK CONFORMING TO ASTM C90	CONCRETE	24	WEATHER STRIP (THRESHOLD)	NEOPRENE
H	1/4" x 1-3/4" PFH DeWALT OR ITW CONCRETE SCREW	STEEL	25	FRAME 5-3/4" X 2" MIN. (0.056" THK)	STEEL
J	3/8" X 5" PFH ITW DYNABOLT SLEEVE ANCHOR	STEEL	26	FRAME SILL 5-3/4" X 4" MIN. (0.056" THK)	STEEL
M	3/8" X 5" TAPPER CONCRETE SCREW BY POWERS FASTENERS	STEEL	27	LATCH STRIKE REINFORCEMENT	STEEL
N	1/2" X 8" HH SCREW-BOLT+ CONC. ANCHOR (DeWALT/POWERS)	STEEL	28	FRAME HINGE REINFORCEMENT	STEEL
1	"D" OPAQUE STEEL DOOR PANEL	-	29	COLUMBIA DOOR BOTTOM SWEEP #2580	ALUMINUM
2	DOOR SKIN (0.055" THK. STEEL, Fy = 40,317 PSI MIN.)	STEEL	40	THRESHOLD NATIONAL GUARD PRODUCTS, INC. #896	ALUMINUM
3	FOAM 1.0 PCF MIN. DENSITY	POLYSTYRENE	41	THRESHOLD NATIONAL GUARD PRODUCTS, INC. #950	ALUMINUM
4	DOOR TOP & BOTTOM CLOSER	STEEL	42	THRESHOLD PEMKO #2005 V	ALUMINUM
5	LOCK BOX REINFORCEMENT	STEEL	45	95WHA DOOR SWEEP NATIONAL GUARD PRODUCTS, INC.	ALUMINUM
6	CLOSER REINFORCEMENT	STEEL	46	#6 X 3/4" PHILLIPS HEAD SMS	STEEL
8	#12-24 x 1/2" SELF TAPPER	STEEL	53	U-CHANNEL GLASS STOP	STEEL
9	TUBE ANCHOR	STEEL	54	#8 X 1.25" PFH SMS	STEEL
10	#12-24 x 1.0" COMBINATION MACHINE / WOOD SCREW	STEEL	70	SCHLAGE LOCK SET ASSEMBLY ND53PD	STEEL
11	DOOR STILE EDGE REINFORCEMENT	STEEL	71	DESIGN HARDWARE D1-S SERIES DEADBOLT	STEEL
12	MULLION Z BRACKET	STEEL	72	DESIGN HARDWARE "Z" SERIES ENTRY	STEEL
14	COLUMBIA ADA THRESHOLD #6510	ALUMINUM	76	DESIGN HARDWARE D2-S SERIES DEADBOLT	STEEL
15	MULLION MIN. (0.056" THK)	STEEL	77	DESIGN HARDWARE "X" SERIES ENTRY	STEEL
16	ANSI LATCH STRIKE	STEEL	78	OUTSWING THRESHOLD QOSH BY DLP	ALUM/WOOD
17	DEADBOLT STRIKE	STEEL	79	WEATHER-STRIP	FOAM
19	DEADBOLT STRIKE REINFORCEMENT	STEEL	81	DOW 995 STRUCTURAL SILICONE	SILICONE
20	WEATHER-STRIP	NEOPRENE	82	GLASS SPACER	ALUM
21	4-1/2" X 4-1/2" X 0.125" TEMPLATE HINGE	STEEL	83	SILL TUBE ANCHOR	STEEL
22	STANDARD (LONG) DOOR HINGE TOP HINGE REINFORCEMENT	STEEL			



 November 15, 2022
 Documents Prepared By:
 Lyndon F. Schmidt
 P.E. No. 43409

R.W. BUILDING CONSULTANTS, INC.
 P.O. Box 230, Vairico, FL 33595
 Phone No.: 813.659.9197
 FBPE Registry No. 9813



PRODUCT:	PREMIER PRODUCTS, INC. "D" STEEL DOOR
PART OR ASSEMBLY:	BILL OF MATERIALS & COMPONENTS
NO.	DATE
BY	REVISIONS
DATE: 11/10/22	
SCALE: N.T.S.	
DWG. BY: LFS	
CHK. BY: RW	
DRAWING NO.: FL-41788.6	
SHEET 9 OF 9	

© 2022 R.W. BUILDING CONSULTANTS INC.